

Pond Pump e-finity Q-Tec 25



Artikel-Nr. 156 / 005170
EAN-Code 4016881 01122-2

Technical Data

Q max. 23.000 l/h | 383 l/min
H max. 6,0 m
Power consumption max. 180 watts
Supply voltage 230 V / 50 Hz
Cable 2 m
Pump connection cable 10 m incl. plug connection
Safety class pump IP 68
Safety class controller IP X4
Quality mark EMC, GS
Impeller Vortex
Motor infinitely electronically controllable DC motor
Warranty 5 years (incl. rotor unit and controller)
Grain size up to Ø 8 mm



Material

Pump plastic housing (moulded in synthetic resin)
Pump housing stable, fibreglass-reinforced
Splitting tube, screws stainless steel
Bearing ceramic
Cable S05 RN8-F

Dimensions

Pump L x W x H (mm) 235 x 136 x 187
Controller Ø x H (mm) 175 x 80
Board L x W x H (mm) 390 x 290 x 263
Pumps per pallet 48
Connection G 2" - E
Intake connection G 2" - E

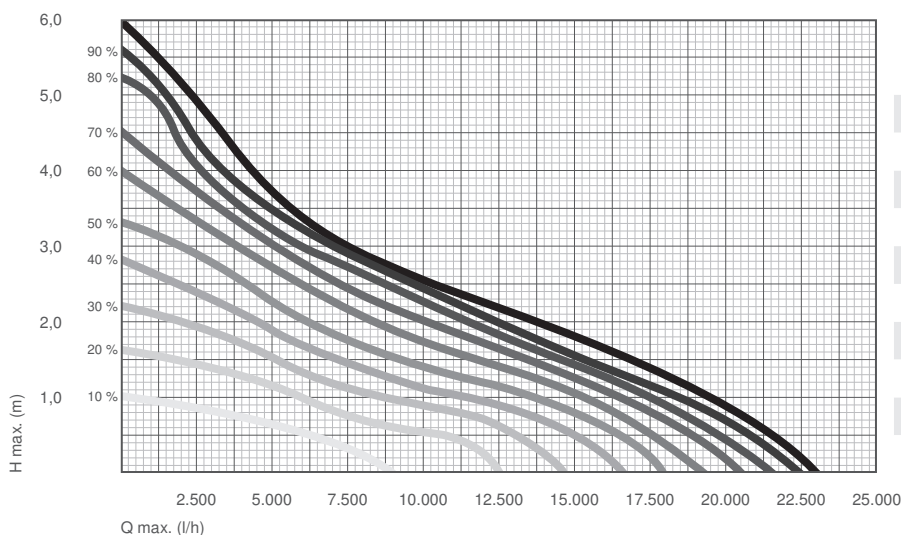
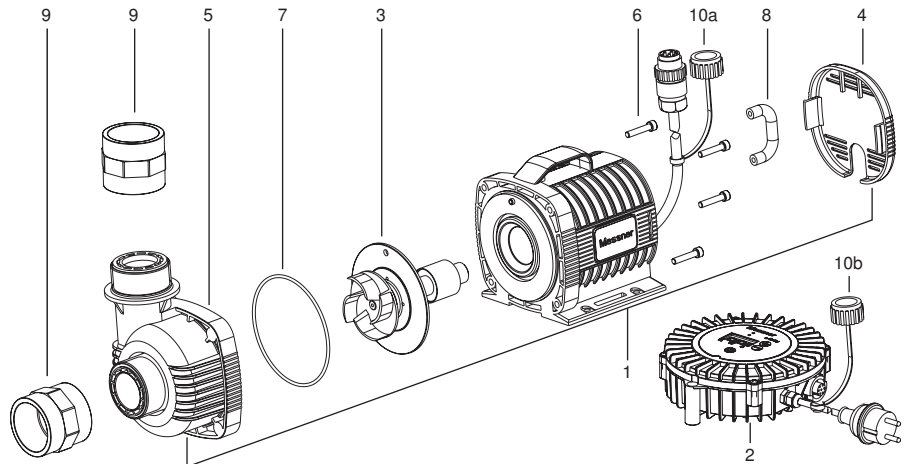
Scope of Delivery

• 2 x Thread gluing socket G 2" - Ø 63 **Art.-No. 116 / 000140**

Accessories optional

• Suction basket G 2" e-finity Q-Tec 25 **Art.-No. 168 / 006180**

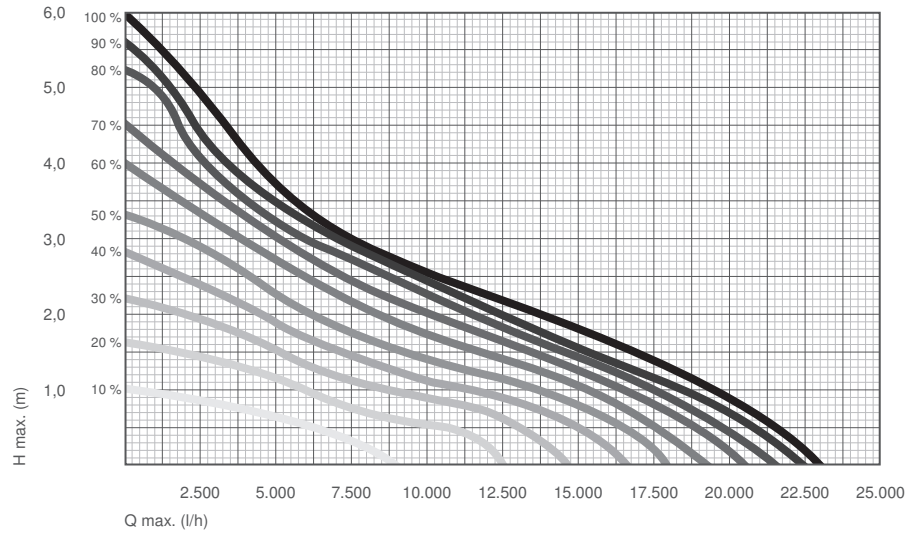
Spare parts	Art.-No.
1	108 / 004882
2	118 / 004884
3	168 / 009186
4	104 / 004851
5	104 / 004848
6	114 / 000116
7	112 / 000075
8	120 / 000004
9	116 / 000140
10a	118 / 000391
10b	118 / 000392



Fountain Pump e-finity Q-Tec 25



Controller setting	watts	Qmax. l/h	Hmax. m
100 %	180	23.000	0
		21.500	0,5
		19.850	1,0
		16.360	1,5
		13.300	2,0
		10.460	2,5
		7.760	3,0
		5.940	3,5
		4.280	4,0
		3.050	4,5
		2.360	5,0
		1.500	5,5
		0	6,0



Controller setting	watts	Qmax. l/h	Hmax. m
90 %	162	22.400	0
		20.800	0,5
		18.700	1,0
		15.470	1,5
		12.620	2,0
		9.600	2,5
		7.230	3,0
		5.050	3,5
		3.360	4,0
		2.340	4,5
		1.920	5,0
		0	5,6

Controller setting	watts	Qmax. l/h	Hmax. m
80 %	144	21.500	0
		19.580	0,5
		17.720	1,0
		14.540	1,5
		11.600	2,0
		8.460	2,5
		6.130	3,0
		4.070	3,5
		2.560	4,0
		1.800	4,5
		1.150	5,0
		0	5,2

Controller setting	watts	Qmax. l/h	Hmax. m
70 %	126	20.450	0
		18.720	0,5
		16.700	1,0
		13.480	1,5
		10.300	2,0
		7.300	2,5
		5.060	3,0
		3.220	3,5
		1.900	4,0
		0	4,5

Controller setting	watts	Qmax. l/h	Hmax. m
60 %	108	19.250	0
		17.540	0,5
		15.380	1,0
		11.770	1,5
		8.480	2,0
		5.930	2,5
		3.730	3,0
		2.160	3,5
		0	4,0

Controller setting	watts	Qmax. l/h	Hmax. m
50 %	90	17.900	0
		16.630	0,5
		13.450	1,0
		9.670	1,5
		6.360	2,0
		4.150	2,5
		2.420	3,0
		0	3,3

Controller setting	watts	Qmax. l/h	Hmax. m
40 %	72	16.600	0
		15.060	0,5
		11.450	1,0
		7.220	1,5
		4.370	2,0
		2.130	2,5
		0	2,8

Controller setting	watts	Qmax. l/h	Hmax. m
30 %	54	14.650	0
		13.160	0,5
		8.990	1,0
		4.960	1,5
		2.120	2,0
		0	2,2

Controller setting	watts	Qmax. l/h	Hmax. m
20 %	36	12.450	0
		11.000	0,5
		5.970	1,0
		2.230	1,5
		0	1,6

Controller setting	watts	Qmax. l/h	Hmax. m
10 %	18	9.000	0
		6.180	0,5
		0	1,0